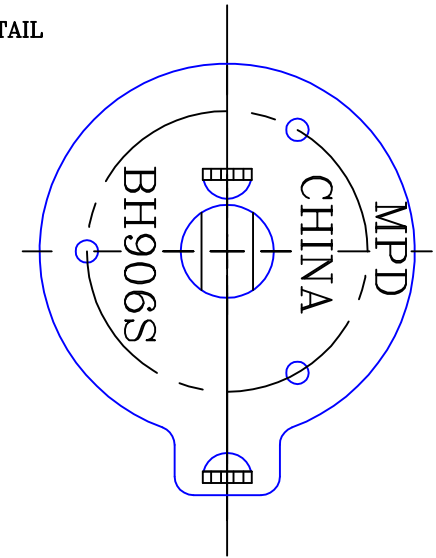
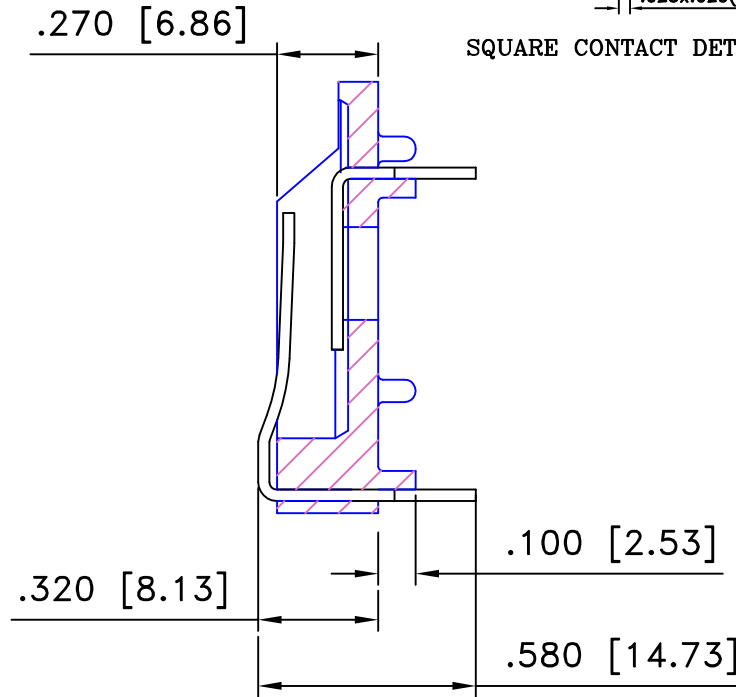
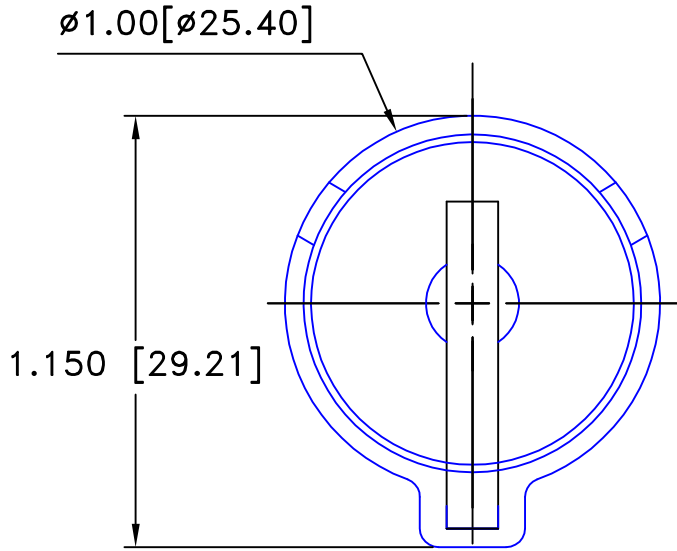
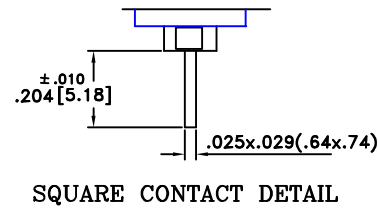
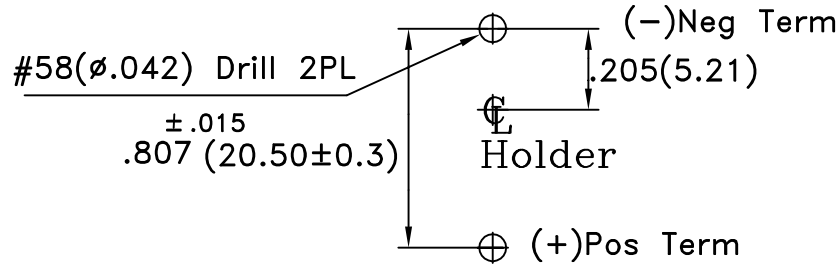



PCB LAYOUT

Date	SYM	REVISION RECORD	AUTH	DR.	CK.
12/11/04	A	"CHINA" WAS "KOREA"	T.B.	B.S.	
7/29/06	B	ADDED "ROHS COMPLIANT"	T.B.	B.S.	



SPECIFICATIONS

- *Holder material—thermoplastic, black PBT
- *Flammability rating—UL94V-0, File No.88499(M)
- *Contacts—302 spring temper stainless steel nickel plated overall
- *Dielectric strength—560volts/mil at 25°C for 5seconds
- *Temperature range— -55° to +180°C
- *Resistance to solvents—Xylene,ethyl,butyl,methyl&proptl alcohol;ethyl acetate,heptane;toluene;refrigerant
- * ROHS COMPLIANT

Tolerance (Except as noted)	 Memory protection Devices, Inc 200 Broad Hollow Road, Farmingdale, New York 11735		
decimal ±.5 (.020)		Scale 4=1	Drawn By B.S. Approved By T.B.
Fractional ± .8 (.030)	Title CR2354 OR TWO BR2325 BATTERY		
Angular ± 3°	Date 7/29/06	Drawing Number BH906S	